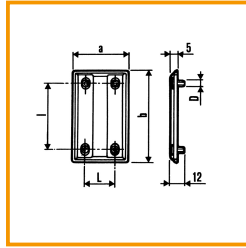


Joint plate



Available in heights (H):

- 50
- 75
- 100

| Dimension | Thickness | Weight | Technical Info | Code |
|-----------|-----------|--------|---------------------------------|------|
| H | [mm] | [Kg] | a w (b) L l d | |
| 100 | 01 | - | 0,05 47 73 26 55 M6 T0 200 0010 | |

H.50 - Joint plate with threaded pins

To be installed also with item T0 053 - H.50 - Cable tray for motorway tunnels

H.75/100 - Joint plate with movable screws

Certifications



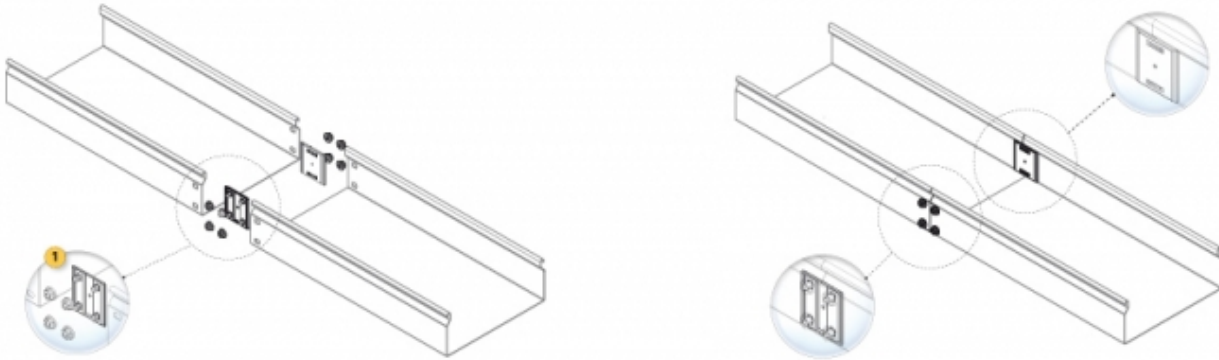
| List of Coatings |
|---|
| Galvanization (Sendzimir method) - UNI EN 10346 |

| Certified System |
|---|
| - IMQ |
| - EN 61537-1 ed.2007 |
| - EN 50085-1:2005 ed EN 50085-2-1:2006 |
| - UL file E471266 |
| Attention: for ZT and ZM material sold/assembled in U.S.A. and Canada, please require UL mark |

Joint plate

Applications

Our movable screw joint system is extremely useful. It is a great innovation that combines quick assembly and equipotential connection of the elements of the ZT system. Inside the trunking, the heads of the bolts are recessed and protected by a plate (1) which makes it possible to pull electric cables without fear of damaging them.



Joint plate

Assembly

 n. 4 M6 TO 621 0600 *included*

[See the video](#)

